

Yeager Supply INC.

SERVING OUR CUSTOMERS FOR OVER 50 YEARS

WHOLESALE DISTRIBUTOR

INDUSTRIAL & COMMERCIAL

PIPE - VALVES - FITTINGS & OTHER RELATED PRODUCTS

Main Office & Warehouse:

1440 North 6th Street
Reading, PA 19601

Phone: 610-376-8037
Toll Free: 800-422-8140
FAX: 610-376-3465

Sales Office:

131 West Airport Road
Lititz, PA 17543

Phone: 717-560-1020
Toll Free: 800-222-1967
FAX: 717-560-1030

Sales Office:

350 Laird Street, Suite 230
Wilkes-Barre, PA 18702

Phone: 570-824-8400
Toll Free: 800-832-2216
FAX: 570-824-8464

Sales Office:

5930 Hamilton Blvd., Suite 7
Allentown, PA 18106

Phone: 610-398-8300
Toll Free: 800-521-4729
FAX: 610-398-7400

WWW.YEAGERSUPPLY.COM

Visit Our Website for Special Deals and Product News

Specializing in Sales to Industry & Mechanical Contractors



**Experienced Personnel Offering
Application and Design Assistance**

**Extensive Inventory Stocked in Our
340,000 Square Foot Warehouses**

**Prompt On-Site Job Deliveries
Ensured by Our Own Fleet of Trucks
24 Hour Emergency Service**

**Distributor of Recognized and Accepted Manufacturers
in the HVAC, Plumbing, Steam, Gas, Air, and Piping Industries**

sales@yeagersupply.com

Yeager Supply INC.

ADVANCE TABCO.....	Fabricated Stainless Steel Sinks	ELKAY.....	Water Coolers, Fountains, & Plumbing Fixtures
ALEMITE.....	Grease Fittings	ELKHART.....	Copper & Brass Fittings
ALLIED PIPING.....	Welding Outlets	ELSTER AMCO.....	Water Flow Meters
ALSONS.....	Plumbing Specialties	EMPIRE.....	Strut Channel & Fittings, Hangers
AMCO.....	Water Meters	ENCON.....	Emergency Eye & Face Wash, Safety Showers
AMERICAN STANDARD.....	Plumbing Fixtures	ENFIELD.....	Acid Waste Pipe & Fittings
AMERICAN VALVE.....	Ball Valves, Plumbing Valves	EQUIMETER/SENSUS.....	Gas Regulators & Flow Meters
AMETEK.....	Pressure Gauges, Heat Exchangers	ERNST.....	Sight Flow Indicators & Level Gauges
AMTROL.....	Expansion Tanks	EVERFLEX.....	Stainless Steel & PTFE Hoses
ANDERSON.....	Pressure Gauges & Sensors	EVERLASTING.....	Boiler Blowdown Valves
ANVIL.....	GRUVLOK, Iron Fittings, Hangers, Nipples, Strut Channel & Fittings, Hangers	EZE-FLOW.....	Stainless Steel Level Controls & Sensors, Stainless Steel & Alloy Fittings Relief Valves
AP&G.....	EVER-TITE, CAM & GROOVE Couplings	FARRIS.....	Stainless Steel Pipe & Fittings
APOLLO/CONBRACO.....	Control Valves, Backflow Preventers, Ball Valves, Actuators	FELKER.....	Rubber Couplings & Fittings
AQUAMATIC.....	Valves	FERNCO.....	Solenoid Valves
AQUA-PURE.....	Water Filters	FESTO.....	Sinks, Plumbing Fixtures
ARMAFLEX.....	Closed-Cell Foam Insulation	FIAT.....	Filter Housings
ARCHON.....	Washdown Equipment, Sight Glasses	FILTERITE.....	Drum Pumps
ARMSTRONG.....	Steam Traps, Control Valves	FINISH THOMPSON.....	Control Valves
ARO.....	Diaphragm Pumps	FISHER.....	Air Filters
ASAHI.....	Thermoplastic Ball, Butterfly, Diaphragm Valves, Actuators	FLANDERS.....	Expansion Joints, Metal Hose
ASCO.....	Solenoid Valves	FLEX-HOSE.....	Spiral Wound Gaskets
ASHCROFT.....	Pressure Gauges & Thermometers	FLEXITALLIC.....	Pump Connectors, Expansion Joints
AURORA.....	Pumps	FLEXONICS.....	Control Valves
AUTOMATIC VALVE.....	Solenoid Valves	FLOMATIC.....	Level Controls
B-LINE.....	Strut Channel & Fittings, Hangers	FLOWLINE.....	Toilet Valves, Supply Connectors
BABBITT.....	Chainwheel Valve Operators	FLUIDMASTER.....	Pressure Assist Toilet Valves
BADGER.....	Flow Meters	FLUSHMATE.....	Submersible Pumps, Level Controls
BANJO.....	Polypropylene Valves, Flow Meters, Pumps, & Fittings	FLYGT.....	Submersible & Wastewater Pumps
BARKSDALE.....	Pressure & Temperature Switches & Sensors	FRANKLIN ELECTRIC.....	Floar, Relief, & Control Valves
BECKER.....	Vacuum Pumps	GADREN.....	Gas Connectors & CSST Tube
BEHRINGER.....	Industrial, Sanitary, & Hydraulic Pipe Clamps	GASTITE.....	Durlon, Non-Asbestos, Red Rubber, Neoprene, PTFE, FKM, Spiral-Wound, Graphite, Ring, Full Face & Sheet
BELL & GOSSETT.....	Balancing Valves, Pumps, Hydronic Specialties	GASKETS.....	Socket Weld Contraction Rings
BEMIS.....	Toilet Seats	GAL GAUGE.....	Pipe, Drain, & Sewer Cleaners & Tools
BERKELEY.....	Centrifugal Pumps	GENERAL PIPE CLEANERS	Needle Valves
BETTIS.....	Valve Actuators	GENERANT.....	Hand Cleaners
BOBRICK.....	Hand Dryers, Washroom Fixtures	GENT-L-KLEEN.....	Thermoplastic Pipe, Valves, & Fittings, COOL-FIT
BONNEY FORGE.....	Forged & Cast Steel Valves, Fittings & Welding Outlets	GEORG FISCHER.....	PTFE Gaskets & Packing
BONOMI.....	Ball Valves, Butterfly Valves	GORMAN RUPP.....	Pumps
BOSCH.....	Tankless Water Heaters	GRISWOLD CONTROLS.....	Control Valves
BRADLEY.....	Emergency Wash Equipment	GRUNDFOS.....	Centrifugal, Chemical, Wastewater Pumps
BRASSCRAFT.....	Gas Connectors, Brass Valves, & Fittings	GUARDIAN.....	Emergency Eye Wash, & Shower Fixtures
BROOKS.....	Flow Meters, Instrumentation	HACKNEY LADISH.....	Carbon & Alloy Steel Fittings
BURKERT.....	Solenoid Valves, Control Valves	HALSEY TAYLOR.....	Water Coolers & Fountains
BURKS PUMP.....	Centrifugal & Turbine Pumps	HARRIS.....	Soldering & Brazing Alloys
CAMBRIDGE-LEE.....	Copper Tube	HARTELL.....	Pumps
CAMPBELL.....	Water Filters, Hydrants	W.M. HARVEY.....	Wax Toilet Bowl Rings, Chemicals
CAPPLUGS.....	Cap Plugs	HAWS.....	Emergency Eye Wash & Safety Shower Fixtures
CARVER.....	Centrifugal Pumps	HAYWARD.....	Thermoplastic Valves, Fittings, Pumps, Strainers
CASH ACME.....	Control Valves, SHARKBITE	HEDLAND.....	Flow Meters, Instrumentation
CASH VALVE.....	Control Valves	HERSEY.....	Backflow Preventers, Water Flow Meters
CASHCO.....	Control Valves	HOFFMAN.....	Steam Traps & Specialties, Pumps
CENTRALBRASS.....	Faucets	HOKE.....	GYROLOCK Compression & Instrumentation Fittings
CHARLOTTE PIPE.....	Cast Iron, CPVC & PVC Pipe & Fittings, CHEMDRAIN	HOLDRITE.....	Plumbing Pipe Supports
CHERNE.....	Test Plugs, Deflection Gauges, Drains	HOLLAENDER.....	Handrail Fittings
CHESTERTON.....	Food Grade Packing	HOMESTEAD.....	Lubricated Plug Valves
CHICAGO FAUCETS.....	Faucets	HONEYWELL.....	HVAC Controls & Instrumentation
CHICAGO STAINLESS.....	Pressure Gauges & Thermometers	HUMPHREY.....	Solenoid Valves
CHROMOMITE.....	Tankless Water Heaters	HYDROMATIC.....	Sump & Sewage Pumps
CLA-VAL.....	Control Valves	IDEAL.....	Hose Clamps, No-Hub Couplings
CLIC.....	Thermoplastic Hangers	INGERSOLL RAND.....	Pumps
CONSOLIDATED.....	Relief Valves	IN-SINK-ERATOR.....	Waste Disposals, Hot Water Dispensers
CRANE VALVE.....	Gate, Globe, Check, Ball Valves	IPS.....	Adhesives, Cements, Primers, Sealants, GUY GRAY Plumbing Valve Boxes
CRANE.....	Plumbing Fixtures & China	IPSCO.....	Carbon Steel Pipe
CRESLINE.....	PVC Pipe	ITT.....	DIA-FLO Diaphragm Valves
DANFOSS.....	Solenoid & Control Valves	JAMESBURY.....	Ball & Butterfly Valves, Actuators
DAVIS.....	Gate, Globe, Check Valves	JAY R. SMITH.....	Drainage, Cleanouts, Hydrants
DELTA.....	Commercial Plumbing Faucets	J. D. GOULD.....	Ball Valves, Steam Valves, Solenoid Valves
DELTROL.....	Flow Control Valves	JOHN WOOD.....	Pressure Vessels, Tanks
DEMCO.....	Butterfly Valves	JOHNSON.....	Vacuum Breakers
DESTAKO.....	Fixture Clamps	JOMAR.....	Ball Valves, Thread Sealants
DETROIT.....	Solenoid Valves	JONES STEPHENS.....	Floor Drains, Plumbing Supplies
DEZURIK.....	Control Valves	JORDAN.....	Sanitary Valves, Control Valves
DFT.....	DURABLA Check & Control Valves	JOSAM.....	Drainage, Cleanouts, Hydrants
DIXON.....	Sanitary Valves & Fittings, BRADFORD Pumps, Cam & Groove Fittings	JUST.....	Stainless Steel Sinks
DOLE.....	Flow Control Valves	KADANT.....	Vacuum Breakers
DOMESTIC PUMP.....	Condensate & Boiler Pumps	KECKLEY.....	Control Valves, Drip Pan Elbows, Strainers
DORMONT.....	Gas Connectors & Valves	KEENEY.....	Brass & Tubular Fittings
DRESSER.....	Repair Couplings & Service Saddles	KEY INSTRUMENTS.....	Flow Meters
DREXELBROOK.....	Level Detectors	KEYSTONE.....	Butterfly Valves, Actuators
DUNGS.....	Combustion Control Valves	KING.....	Flow Meters
DURO.....	Vacuum Gauges	KINGSTON.....	Relief Valves
DWYER.....	Instrumentation, Gauges, Flow Meters, Sensors, Pressure Switches & Gauges	KITZ.....	Check, Ball, Gate, Globe Valves
EEMAX.....	Tankless Water Heaters	KRAISSL.....	Strainers, Diverter & Transfer Valves
		KUNKLE.....	Safety & Relief Valves
		LANCASTER.....	Pumps
		LAWLER.....	Thermostatic Mixing Valves

LEE BRASS.....	Brass Fittings & Nipples	SCHIER.....	Grease, Oil, & Solids Interceptors
LEGRIS.....	Pneumatic Tube Fittings	SHARPE.....	Stainless Steel Gate, Globe, Check, Ball Valves
LENOX.....	Saw Blades	SHERWIN-WILLIAMS.....	Paints, Caulks, Adhesives
LENZ.....	Gauges, Hydraulic Compression Fittings	SIGNET.....	Pressure, Temperature, Flow, PH, Conductivity Instruments
LEONARD.....	Thermostatic Mixing Valves	Drains
LESLIE.....	Control Valves	Pressure/Temperature Plugs
LIBERTY.....	Drain Pumps	Condensate & Boiler Pumps
LITTLE GIANT.....	Submersible & Wastewater Pumps	Flush Valves, Plumbing Fixtures
LOCHINVAR.....	Water Heaters	Gas & Electric Water Heaters & Tanks
LUKENS.....	Solder	Quick Disconnect Couplings
MAC.....	Solenoid Valves	Emergency Wash Equipment, Faucets, Fixtures
MAGNATROL.....	Solenoid Valves	Thermoplastic Valves & Fittings
MAID-O'-MIST.....	Steam Vents, Air Release Valves	Steam Traps, Control Valves, & Condensate Pumps
MARCH PUMP.....	Magnetic Drive Pumps	Submersible & Wastewater Pumps
MARSH.....	Gauges, Thermometers, Sight Glasses	Washdown Equipment, Industrial Valves
MARSHALLTOWN.....	Pressure & Flow Gauges	Water Coolers, Emergency Wash Equipment
MASTER.....	Water Treatment Systems	Plumbing Faucets & Valves
MAXITROL.....	Gas Regulators	Hydronic Balancing Valves, HVAC Pumps
MCDANIEL.....	Pressure Gauges	FLOCONTROL Globe Valves
A. Y. MCDONALD.....	Brass Fittings, Gas Cocks, Valves	Joint Sealant
MCDONNELL & MILLER.....	Flow Switches, Boiler Controls	Sanitary Stainless Valves & Fittings, Pumps
MCGUIRE.....	Tubular Drainage, Traps, Strainers	Plumbing Fixtures, Faucets, Flush Valves
MERCER RUBBER.....	Expansion Joints, Flexible Connectors	Pressure Gauges & Thermometers
METRAFLEX.....	Expansion Joints, Metal Hose	Unit Heaters
METSO.....	JAMESBURY Ball & Butterfly Valves, Actuators	ADA Undersink Guards
MICHIGAN SEAMLESS.....	Seamless Carbon & Alloy Steel Pipe	Emergency Wash Equipment, Faucets
MILL-ROSE.....	PTFE Tape, Thread Sealants, Brushes, BLUE MONSTER	Gas Soldering & Brazing Equipment
.....	Metering Pumps	Thermoplastic Valves
MILTON ROY.....	Power Tools	Cast Iron Pipe & Fittings
MILWAUKEE TOOL.....	Ball, Gate, Globe, Check Valves	Stainless Steel Compression Fittings, Valves
MILWAUKEE VALVE.....	Rooftop Pipe Supports	Butterfly Valves, Actuators
MIRO.....	Rubber Couplings, Test Plugs	Boiler Valves
MISSION RUBBER.....	Unit Heaters	Aqua Pex Fittings & Tube
MODINE.....	Plumbing Fixtures, Faucets	Thermoplastic Valves
MOEN.....	Valve Position Sensors & Switches	Copper & Stainless Press Pipe & Fittings
MONITEUR DEVICES.....	Compression & Repair Couplings, Tube Bends	Fire Sprinkler Heads
MORRIS.....	Pipeline Strainers & Valves	Forged Steel Gate, Globe, Check Valves
MUELLER STEAM.....	PVC DWV, Copper Tube & Fittings, PVC Valves	Drains & Cleanouts
MUELLER STREAMLINE.....	Stormwater Drainage, Trench Drains	Iron Pipe Fittings, Steel Nipples
NDS.....	Chemical Feed Pumps & Flow Meters	Stainless & Alloy Gate, Globe, Check Valves
NEPTUNE.....	Thermoplastic & Rubber Tube & Fittings	Backflow Preventers, Pressure Regulators, Gate, Globe, Check, Butterfly, Ball Valves
NEWAGE.....	Spring Check Valves	Sanitary Pumps
NEWAY.....	Gate, Globe, Check, Ball, Butterfly Valves, PVC, CPVC, Polypropelene, PVC DWV, & Copper Fittings, CHEMTROL	Gate, Globe, Check Valves, Unions, Isolation Valves
NIBCO.....	Steam Traps, Specialties	Mechanical Anchors & Screws
.....	Air Filters & Regulators	Pressure Gauges, Thermometers
NICHOLSON.....	Solenoid Valves	Carbon & High Yield Steel Weld Fittings & Flanges
NORGREN.....	Check Valves	Limit Switches, Valve Position Transmitters
NUMATICS.....	Water Coolers & Fountains	Gate, Glove, Check Valves
NU-PRO.....	HERCULES Chemicals, Thread Sealants	Carbon Steel Pipe
OASIS.....	Fuel Oil Specialties	Pipe Preparation Tools
OATEY.....	Flow Meters, Pressure & Temperature Transmitters & Instruments	Pressure Gauges
OEM.....	Check Valves	Air Filter Regulators & Lubricators
OMEGA.....	Valves	Pressure Gauges, Thermometers
OMNI.....	Cam & Groove Fittings	Ball Valves & Actuators
ONYX VALVES.....	Knife Gate Valves	Wall Faucets & Hydrants
OPW.....	Pumps	Solder
ORBINOX.....	Pump & Valve Packing	Steam Traps & Specialties
PACER.....	Flare & Compression Fittings, Valves	Globe Valves, Steam Traps
PALMETTO.....	Process Controllers & Instrumentation	
PARKER HANNIFIN.....	Water Heaters	
PARTLOW.....	Level Controls, Boiler Instrumentation	
PATTERSON KELLY.....	Forged, Stainless Steel, Carbon & Alloy Fittings & Outlets	
PENBERTHY.....	Adhesives & Sealants	
PENN MACHINE.....	Forged Fittings & Outlets	
.....	Thermoplastic Fittings & Valves	
PERMATEX.....	Thrmoplastic Fittings	
PHOENIX FORGE.....	Thermoplastic Valves & Instrumentation	
PLASTIC ODDITIES.....	Gate, Globe, Check Valves	
PLASTIC TRENDS.....	Thermostatic Mixing Valves	
PLAST-O-MATIC.....	Mechanical Anchors & Screws	
W. M. POWELL.....	Sensors, Chemical Feed Pumps	
POWERS.....	Safety Cabinets, Safety Cans, Vents	
POWERS FASTENERS.....	PVC Insulation Fitting Covers & Jacketing	
PROMINENT.....	Chemical Feed Pumps	
PROTECTOSEAL.....	Industrial & Sanitary Valves, Actuators	
PROTO.....	Sanitary Stainless Steel Tube	
PULSAFEEDER.....	Batteries, Flashlights	
QSM.....	Flow Meters, Switches, Transmitters	
RATHGIBSON.....	Thread Sealants, Solvents, Adhesives	
RAYOVAC.....	Pinch & Knife Gate Valves	
RCM.....	Ball Valves	
RECTORSEAL.....	Pipe & Tube Cutters, Vises, Pipe Threaders, Pipe Tools	
RED VALVE.....	Pipe Preparation Tools	
RED-WHITE.....	Pipe Preparation Tools	
REED.....	Sanitary Clamp Gaskets, Hose	
.....		
RIDGID.....		
ROTHENBERGER.....		
RUBBER FAB.....		

MEASUREMENT & CONTROL SYSTEMS CENTER

Yeager Supply INC.

KEY SERVICES

- **Controls - Selection**
- **Custom Panels for Liquids**
- Built to Specifications
- **Monitoring Systems**
- Installation/Start-up Service

PRECISE MEASUREMENTS

Chlorine	Level	Salinity
Conductivity	PH/ORP	Temperature
Flow	Pressure	Turbidity

CUSTOM PANELS

CONCEPT-TO-FINISH

NO JOB IS TOO BIG OR TOO SMALL



*Services Performed by
Factory Trained Personnel*



AVAILABLE CONTROLS

Georg Fischer: Level Switches, Flow Sensors, Indicators & Controllers, Ultrasonic Level Sensors, Chlorine & Turbidity Systems, Magmeters

Flowline: Thermal Flow Switch Sensors, Liquid & Gas Sensor Types, Level Switches, Radar Sensors



sales@yeagersupply.com

Main Office & Warehouse
1440 North 6th Street
Reading, PA 19601
800-422-8140

Sales Office
131 West Airport Road
Lititz, PA 17543
800-222-1967

Sales Office
350 Laird Street, Suite 230
Wilkes Barre, PA 18702
800-832-2216

Sales Office
5930 Hamilton Blvd., Suite 7
Allentown, PA 18106
800-521-4729

VALVE AUTOMATION CENTER

KEY SERVICES

- **Sizing** - Valves & Actuators Sized for Your Application
- **Product Traceability:**
All assemblies include serial number traceability
- **Assemblies** tested prior to shipping
- **On Site Inventory**
- **Quick Turnaround**
- **Wide Variety** of valves, Actuators, & Accessories
& **Daily Truck Delivery!**

STOCK VALVES

Jamesbury: Ball & High Performance Butterfly
Conbraco/Apollo: Flanged & Threaded Ball Valves, Butterfly
Georg Fischer: PVC, CPVC, Ball, Butterfly
QSM: Sanitary Stainless Steel
TopLine: Sanitary Stainless Steel
Other Valves Available

STOCK ACCESSORIES

Positioners: 4-20 mA, 3-15 Air, Jamesbury, Moniteur
Actuators: Pneumatic, Electric
Sensors & Transmitters: Mechanical, Proximity, Stonel, Westlock, Moniteur
Solenoid Valves: Asco, Automatic Valve
Linkages: Standard & Custom Made



**We Can also Furnish
Sensors & Controls**



sales@yeagersupply.com

Main Office & Warehouse
1440 North 6th Street
Reading, PA 19601
800-422-8140

Sales Office
131 West Airport Road
Lititz, PA 17543
800-222-1967

Sales Office
350 Laird Street, Suite 230
Wilkes Barre, PA 18702
800-832-2216

Sales Office
5930 Hamilton Blvd., Suite 7
Allentown, PA 18106
800-521-4729

PUMP SERVICE & REPAIR GROUP

Yeager Supply INC.

KEY SERVICES

- **In House Machine Shop**
- **Fabricating & Assembly**
- **Pump Evaluation, Testing, Service & Repair**
- Free Pick-up & Delivery within Our Area

DISTRIBUTOR FOR

ABS/Sulzer	Liberty
Armstrong	Little Giant
Bell & Gossett	LMI
Becker	March
Carver	Myers
Dixon	Pacer
Ebara	Pentair/Sta-Rite
Finish Thompson	Berkeley
Flex-A-Seal	Rule
Flygt	Scot
Grundfos	Serfilco
Hayward Gordon	Stenner
Hoffman	Taco
Hydromatic	Topline
Lancaster Pump	



Little Giant
Submersible Pumps



Bell & Gossett
Centrifugal Pumps



Flygt Submersible Pumps



Carver
Centrifugal Pumps



Top Line
Sanitary Pumps



LMI Metering Pumps



Finish Thompson Drum Pumps

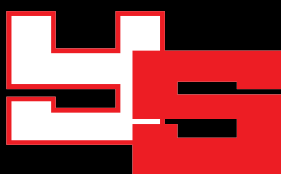


Hydromatic
Submersible Pumps

& OTHER MANUFACTURERS

**Services Performed by
Factory Trained Personnel**

3,000+ Square Foot Repair Shop



sales@yeagersupply.com

Main Office & Warehouse
1440 North 6th Street
Reading, PA 19601
800-422-8140

Sales Office
131 West Airport Road
Lititz, PA 17543
800-222-1967

Sales Office
350 Laird Street, Suite 230
Wilkes Barre, PA 18702
800-832-2216

Sales Office
5930 Hamilton Blvd., Suite 7
Allentown, PA 18106
800-521-4729

PIPE FABRICATION SERVICES CENTER

Yeager Supply INC.

KEY SERVICES

Cut to Length

- 1/8" - 16" Carbon & Stainless Pipe all schedules
- 1/8" - 12" PVC, CPVC Pipe all schedules
- 1/8" - 8" Copper Tube
- 1/2" - 6" Aluminum Pipe
- 1/8" - 1" Carbon & Stainless Steel Tube
- Threaded Rod, Steel Angles and Channel

Roll Grooving

- 1 1/4" - 14" Carbon Steel schedule 10 & 40
- 2" - 6" Stainless Steel schedule 10 only
- 2" - 8" Copper Tube

*All sizes are 4" minimum length

Threading NPT

- 3/8" - 6" Carbon, Aluminum & Stainless, schedule 40 and heavier
- * TBE 5" & 6" minimum length - 12", TOE any length

Threading BSPT

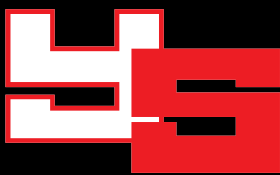
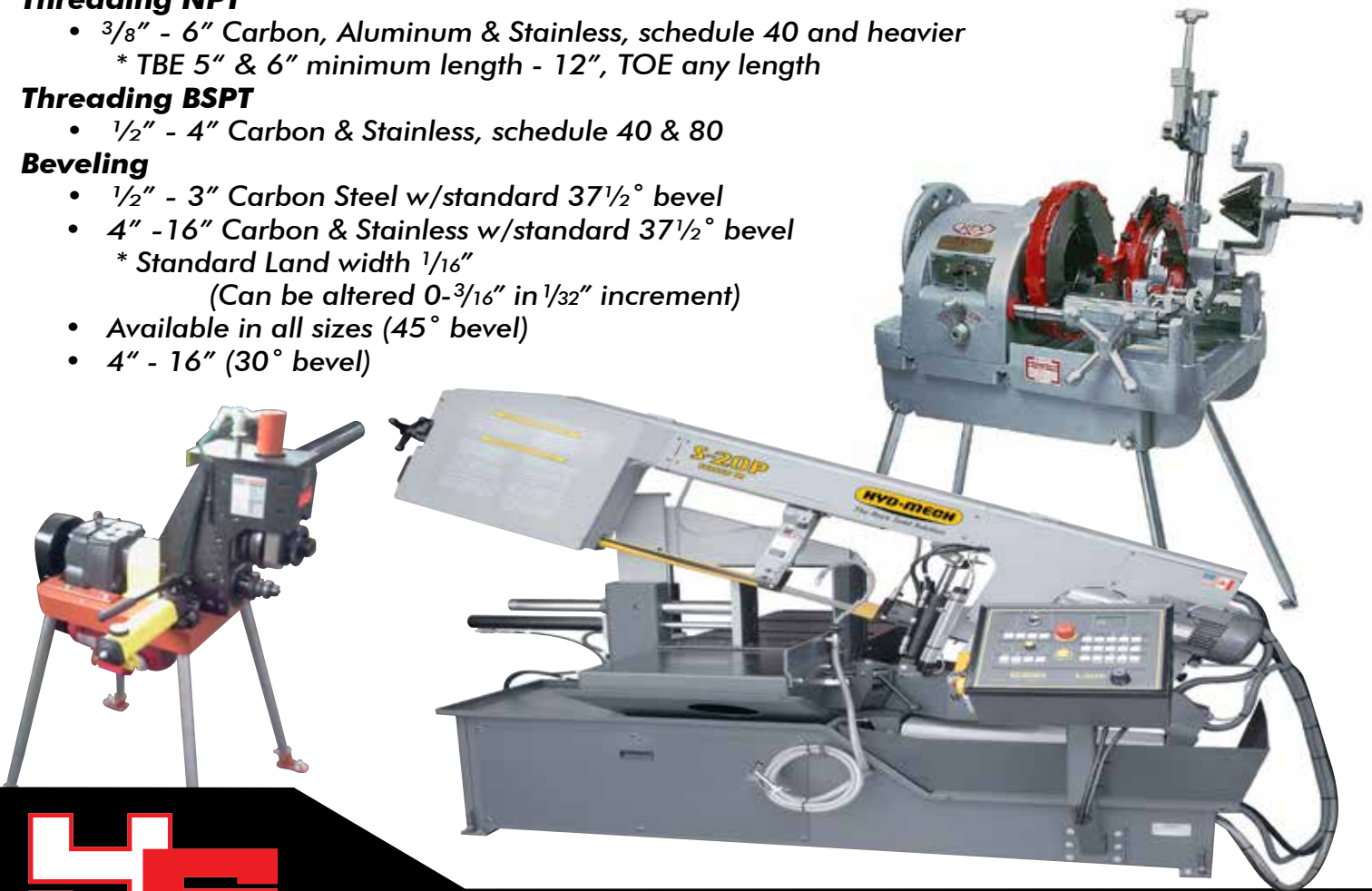
- 1/2" - 4" Carbon & Stainless, schedule 40 & 80

Beveling

- 1/2" - 3" Carbon Steel w/standard 37 1/2° bevel
- 4" - 16" Carbon & Stainless w/standard 37 1/2° bevel
- * Standard Land width 1/16"
- (Can be altered 0-3/16" in 1/32" increment)
- Available in all sizes (45° bevel)
- 4" - 16" (30° bevel)



**In House
Pipe Fabrication
Services Performed by
Factory Trained Personnel**



sales@yeagersupply.com

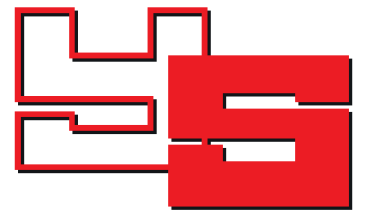
Main Office & Warehouse
1440 North 6th Street
Reading, PA 19601
800-422-8140

Sales Office
131 West Airport Road
Lititz, PA 17543
800-222-1967

Sales Office
350 Laird Street, Suite 230
Wilkes Barre, PA 18702
800-832-2216

Sales Office
5930 Hamilton Blvd., Suite 7
Allentown, PA 18106
800-521-4729

Yeager Supply INC.

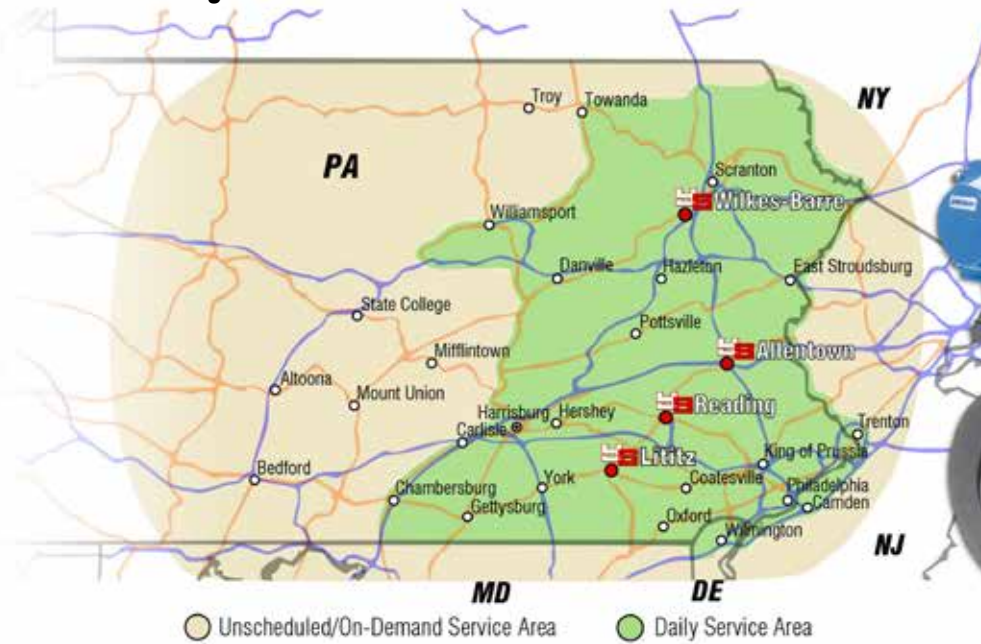


We provide value-added services to help your business run more efficiently.



For more than 50 years, Yeager Supply has served the industrial and commercial piping, plumbing, instrumentation, and mechanical equipment needs throughout the Eastern Pennsylvania, New Jersey, Maryland, and Delaware region. We proudly maintain full lines of industrial piping, valves, and fittings, in stock, ready for next day delivery to your plant or job site on our own fleet of trucks. We offer 24 hours a day, seven days a week emergency service, early-morning counter, and late-night and weekend pick-up availability to help you get the job done.

Our experienced sales staff with extensive product training and knowledge, our stocked 340,000 square foot warehouses, VMI service, manufacturer support, and fast efficient service has earned us a reputation for being the best of our kind in the Mid-Atlantic.



Proud Members of...



- Systems Contracting/Integrated Supply Programs - Customized To Meet Your Requirements**
- Product Standardization Programs - Vendor Managed Inventory Programs**
- Customer Education and Product Training Seminars**
- Dedicated Inventories - Bin Labeling - Barcoding**

sales@yeagersupply.com

800-422-8140 800-222-1967 800-521-4729 800-832-2216
 Reading Litz Allentown Wilkes-Barre

Yeager Supply INC.